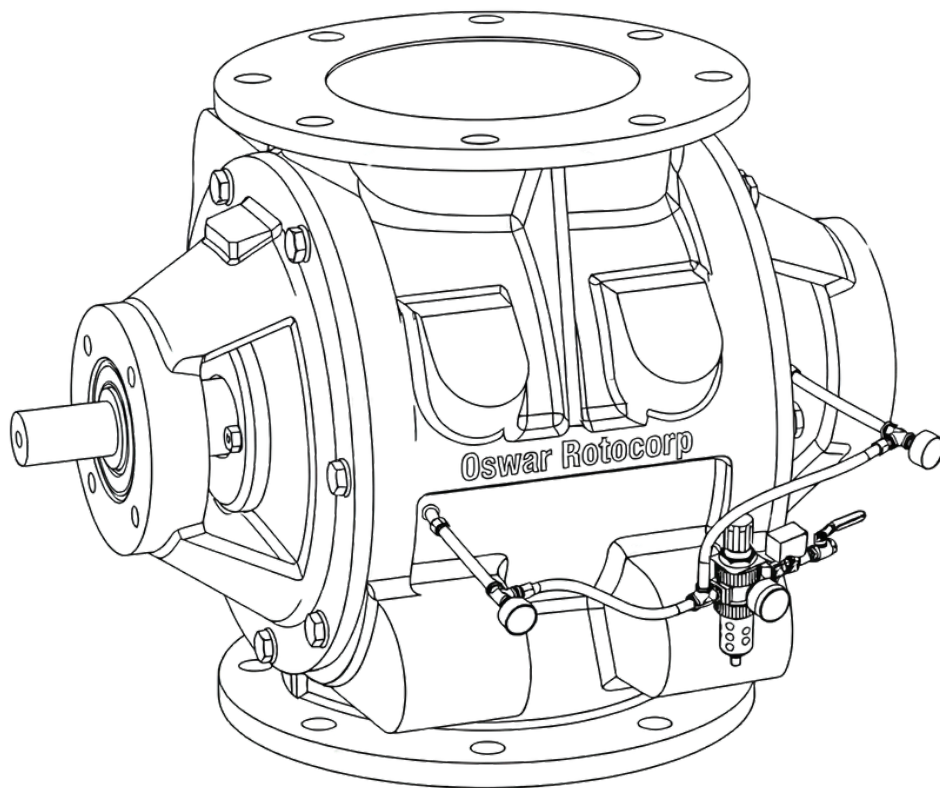



ROTARY VALVE – BLOW-THROUGH SERIES

ENGINEERED FOR DIRECT PNEUMATIC
CONVEYING EFFICIENCY



OSWAR
rotocorp



This configuration eliminates the need for separate air injection systems, providing a compact and efficient solution for material feeding in pressure or vacuum conveying applications.

Engineered for stable volumetric performance and minimal pressure loss, the Blow-Through Rotary Valve ensures uniform material dispersion into the conveying pipeline while maintaining airlock integrity and operational reliability.

ADVANTAGES

DIRECT AIR
INJECTION
THROUGH ROTOR
DESIGN

COMPACT SYSTEM
INTEGRATION

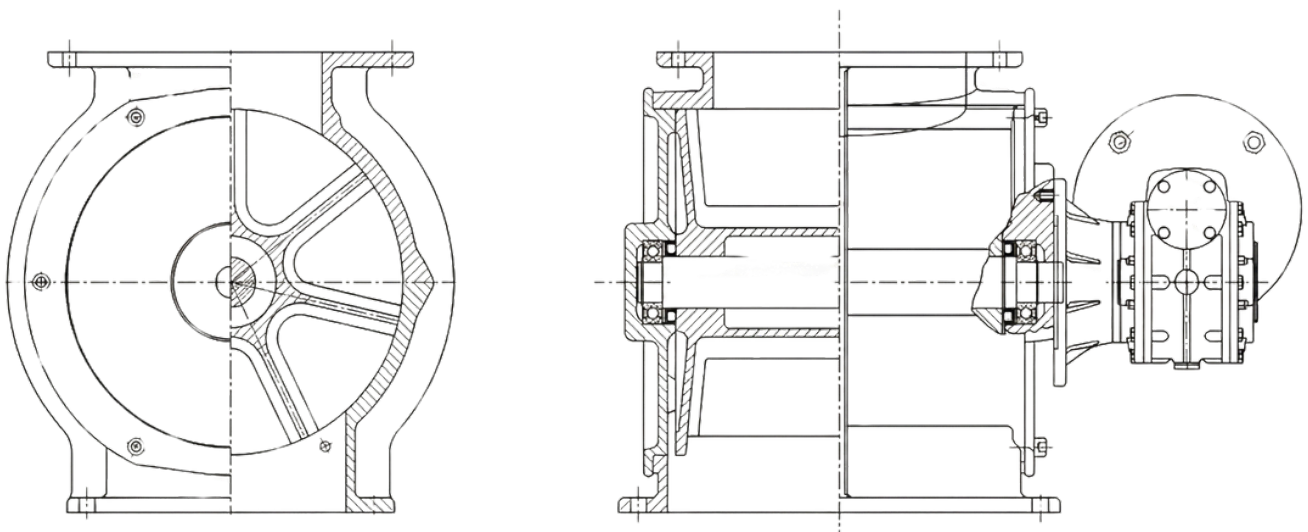
REDUCED
PRESSURE LOSS

UNIFORM
MATERIAL
DISPERSION INTO
PIPELINE

ENGINEERED FOR PNEUMATIC CONVEYING PERFORMANCE

The Blow-Through Series Rotary Valve features a specially designed rotor and housing configuration that allows conveying air to pass directly through the valve pockets, ensuring efficient material entrainment into the conveying stream.

Precision CNC machining ensures controlled rotor clearances, maintaining consistent airlock performance even under varying pressure differentials. The optimized internal geometry reduces turbulence, enhances flow uniformity, and improves conveying efficiency.



ENGINEERING FEATURES

- Direct blow-through rotor configuration
- Precision CNC-machined housing
- Optimized rotor pocket design for air-material mixing
- Controlled clearances for pressure stability
- Heavy-duty bearing protection system

PNEUMATIC CONVEYING APPLICATIONS

Typical Applications:

- **Pressure Pneumatic Conveying Systems**
- **Vacuum Conveying Systems**
- **Cement & Fly Ash Transfer**
- **Powder Injection Systems**
- **Bulk Material Pipeline Feeding**

Industries Served:

- **Cement Manufacturing**
- **Power Generation Plants**
- **Chemical Processing Industries**
- **Food & Powder Handling Facilities**
- **Mining & Mineral Processing**



OSWAR

rotocorp

Corporate Office

Jaipur, Rajasthan India
Nagpur, Maharashtra India

Sales Inquiries

info@oswarrotocorp.com

Helpline

[+44 7917 128505](tel:+447917128505) | +91 77422 36474

Copyright © 2026 OSWAR ROTOCORP. All Rights Reserved. OSWAR® is a registered trademark of **OSWAR ROTOCORP**. This brochure makes no offers, representations or warranties (express or implied), and information and data contained in this brochure are for general reference only and may change at any time.